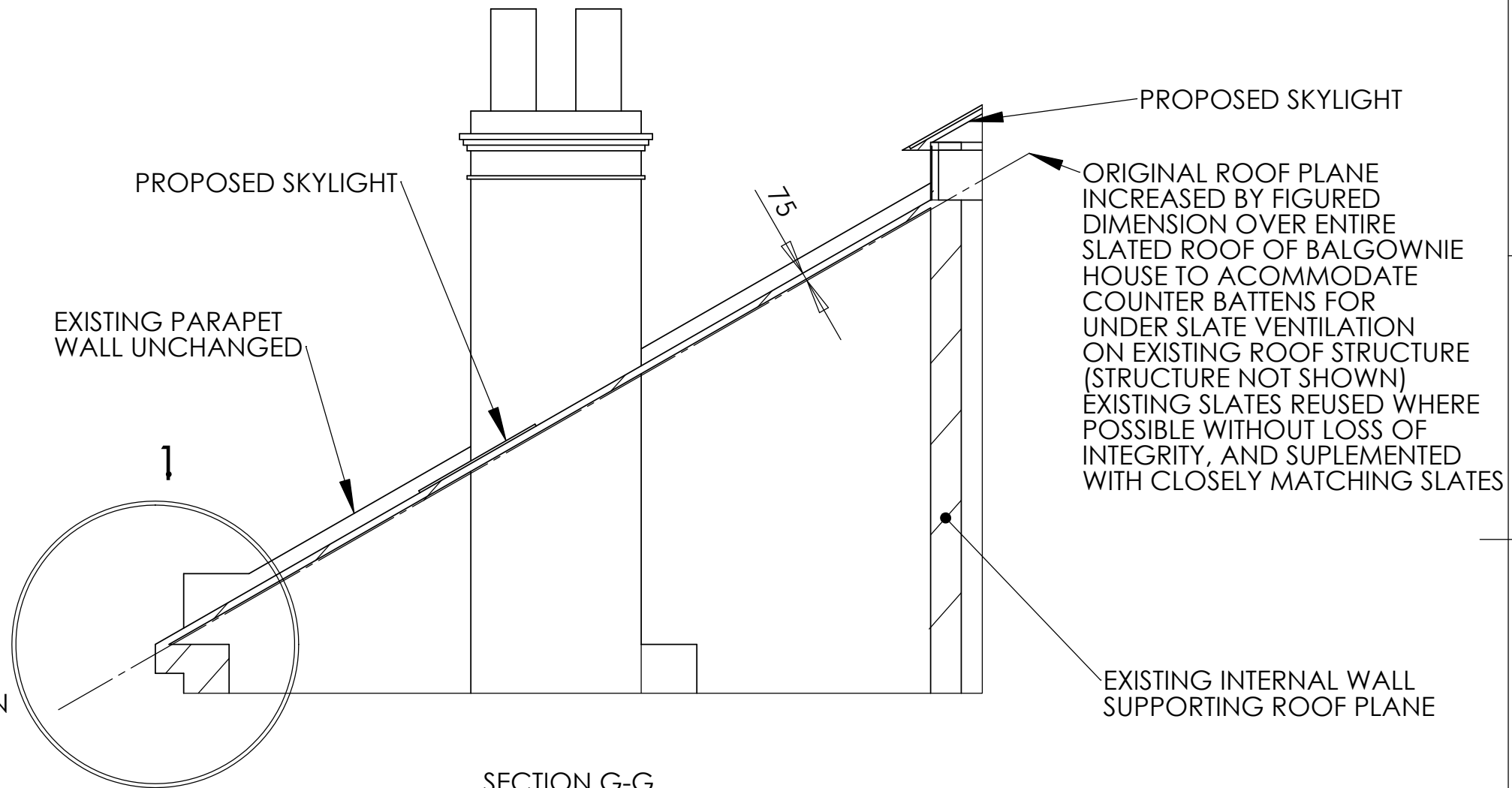
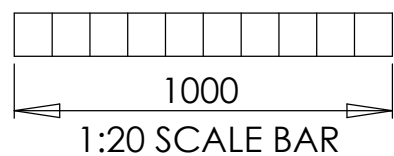
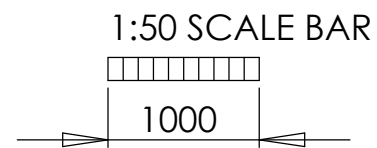


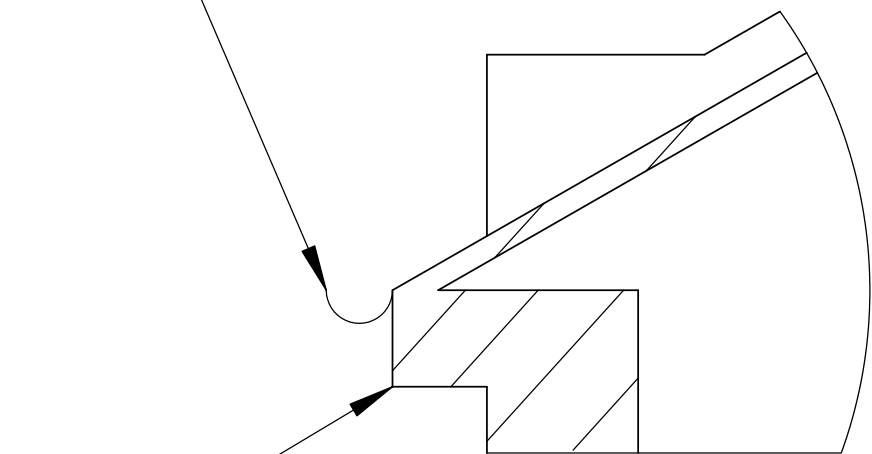
DETAIL 1 EXISTING
SCALE 1 : 20



SECTION G-G



GUTTER EITHER RETAINED IN EXISTING POSITION OR MOUNTED ON STEEL SIDE RAFTER BRACKETS OR BRICK CORBELS TO ACCOUNT FOR CHANGE IN ROOF PLANE



DETAIL 1 PROPOSED
SCALE 1 : 20

EXISTING STONEMWORK UNCHANGED

DO NOT SCALE DRAWING - DIMENSIONS IN MM

RENOVATIONS RESIDENTIAL LTD
ROBERTFALCONER@HOTMAIL.CO.UK

DRAWN	NAME	SIGNATURE	DATE	REV	REV NOTE	TITLE:	
	R FALCONER		07/09/13	1		BALGOWNIE PROPOSED ROOF PLANE DETAIL SHOWING EXISTING & PROPOSED	
	R FALCONER		06/01/14	2	ANNOTATION		
	R FALCONER		01/03/14	3	SHEETS 1- 3		
	R FALCONER		06/03/14	4	SHEETS 2		
	R FALCONER		21/06/15	5	ANNOTATION		
						DWG NO.	BALGOWNIE 002
						SCALE:1:50	A3 SHEET 4 OF 4